

Features

- Universal input 100-240VAC
- Output Power: 36-144W
- Plastic Enclosure
- Approved to UKCA, CE
- LVD & EMC Class B Certified, RoHS & REACH compliant
- 12V Lead Acid 3 Stage Control (Fast/Normal/Float)
- OVP, OCP, OTP & Short Circuit
- Dimensions: Dependent on Model
- Weight: Dependent on Model
- Six-Sided Shielding



Ideal Power's 31ACWW12A Range of 12V Lead Acid Battery Chargers Series are certified to UKCA, CE, RoHS, REACH & EN 62368-1 Standards and comply with the relevant Efficiency Regulations. These are primarily used in ITE, Audio & Video Industries and customised solutions are available upon request.

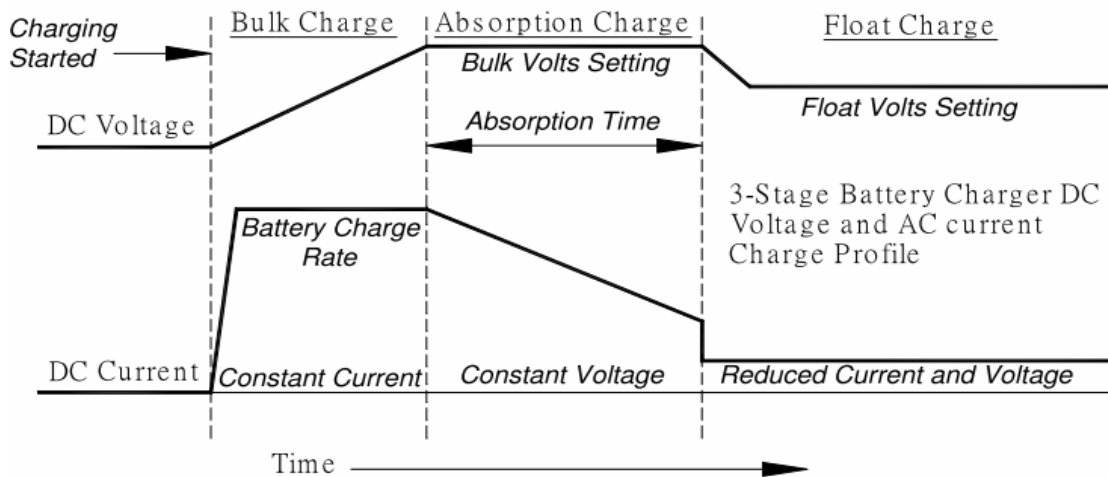
Models	31AC0312A	31AC0412A	31AC0512A	31AC0612A
Output Max Current	3A	4A	5A	6A
Output Power	36W	48W	60	72
Models	31AC0712A	31AC0812A	31AC1012A	31AC1212A
Output Max Current	7A	8A	10A	12A
Output Power	84W	96W	120W	144W
Input Voltage	100V ~ 240V universal			
Input Frequency	47Hz ~ 63Hz			
Output Equalizer	14.6 Vdc ± 0.2 V			
Output Float	13.7 Vdc ± 0.2 V			
Max Charging Current	2A +/- 0.2A			
Working Temperature	0 ~ 45 °C			
Hold up Time	8 ms at full load output power and 115 Vac input			
Battery Application	Lead Acid Battery			
LED – Power on	Red			
LED – Charging	Orange			
LED - Charged	Green			
Mains Lead	1.8M EURO Plug + 1.8M UK Fuse Plug			
DC Cable	SPT2, 18AWG 2C at 1.2M mount clips			
Dimensions	180 x 88 x 47 (LxWxH) mm			
Weight	0.8 (Kgs)			
Safety	CE, CUL			

Specifications subject to change without notice.

Applications

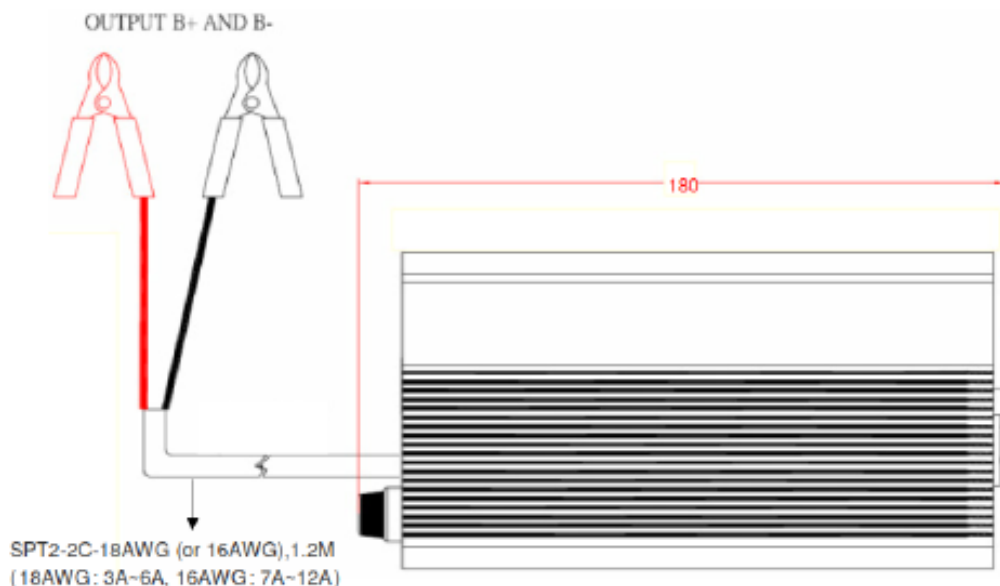
- | | | | |
|-------------------------|-----------------------------|-----------------------------|--------------------------|
| ⊗ Communication devices | ⊗ Power generators | ⊗ UPS | |
| ⊗ Vacuums Pumps | ⊗ Sailing boats | ⊗ Fork-lift | ⊗ Power Inverters |
| ⊗ Fire trucks | ⊗ Emergency vehicles | ⊗ Electrical car & bicycles | ⊗ Ambulance |
| ⊗ Household items | ⊗ Communication Equipment's | ⊗ Automobiles | ⊗ Mobile command centres |

Three Steps of Charging & Charge Curve



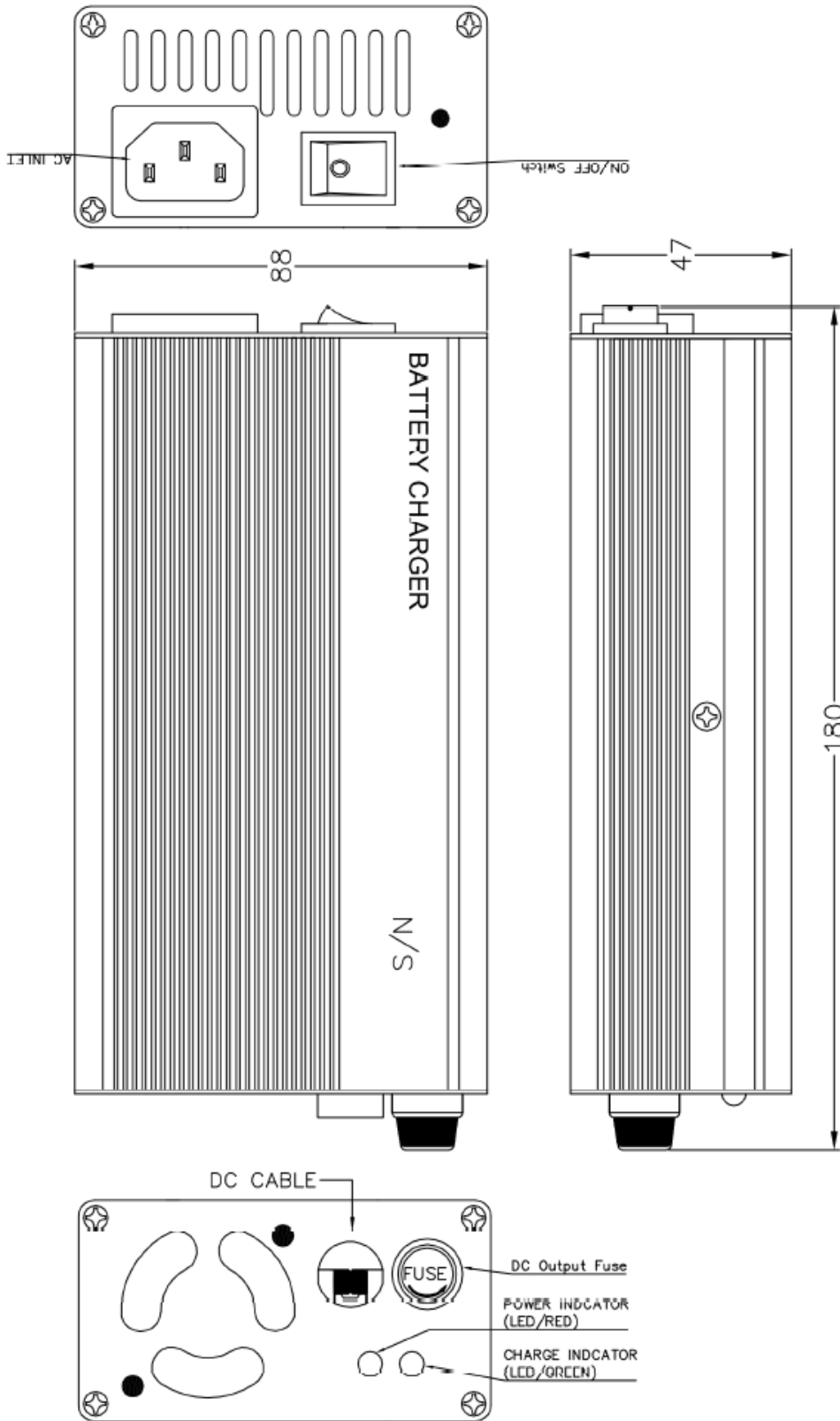
Step 1	Bulk charge – bring batteries to 75% capacity fast. During this stage charging occurs at full power, which means maximum current, until the battery voltage reached the set limit.
Step 2:	Absorption Charge, boost – slow the current flow, adjusting for maximum efficiency and gently topping off batteries. During absorption charging the current decreases as the battery approached full charge.
Step 3	Trickle Charge – for longer period, maintains fully charged batteries without harmful effects of overcharging and cooking. Trickle charge is intended to keep the battery in a fully charged state and compensates for self-discharge. When the current reaches setting point the battery switches to a maintenance charge at a constant voltage. Should the battery be in use and the charge current Subsequently exceed setting point the charger will automatically return to the beginning of the three-step charge characteristic.

Case Drawing



AC - DC

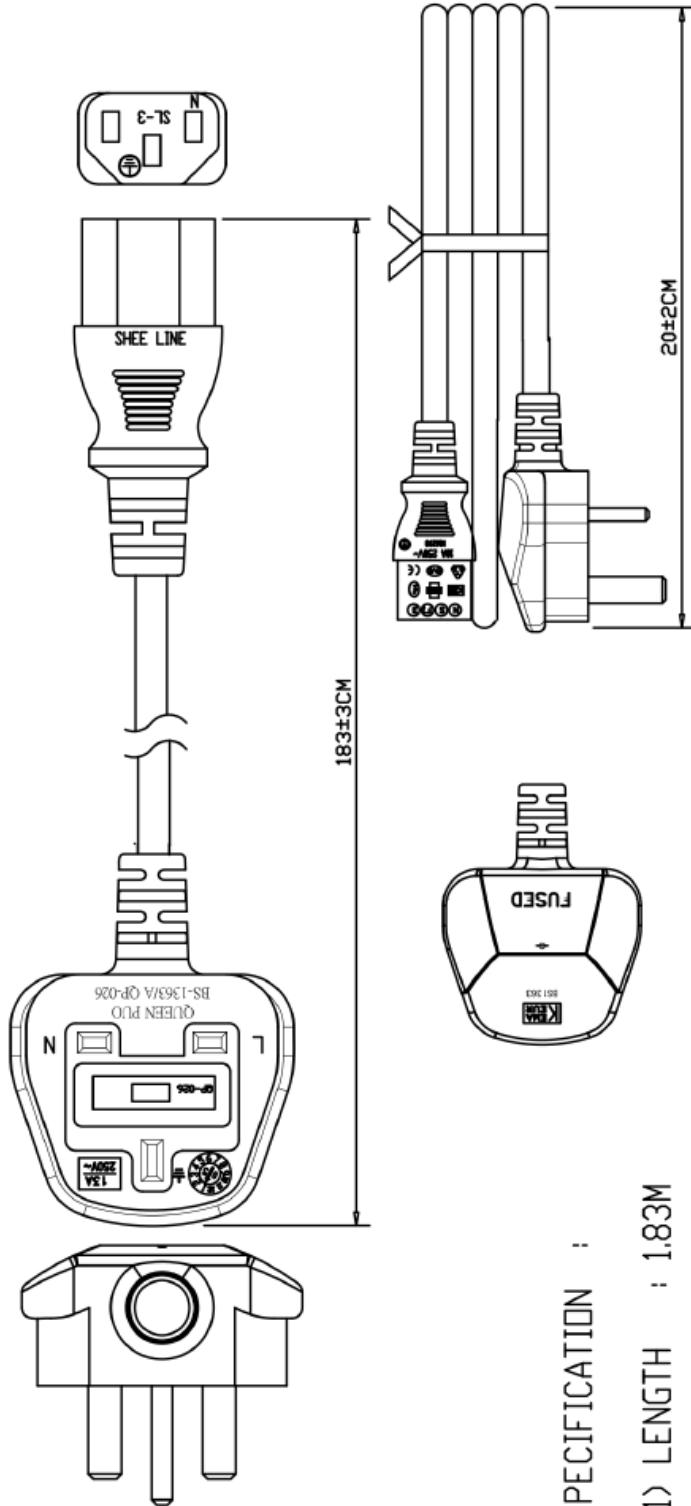
Case Drawing



AC - DC

Mains Lead UK

AC - DC



SPECIFICATION :

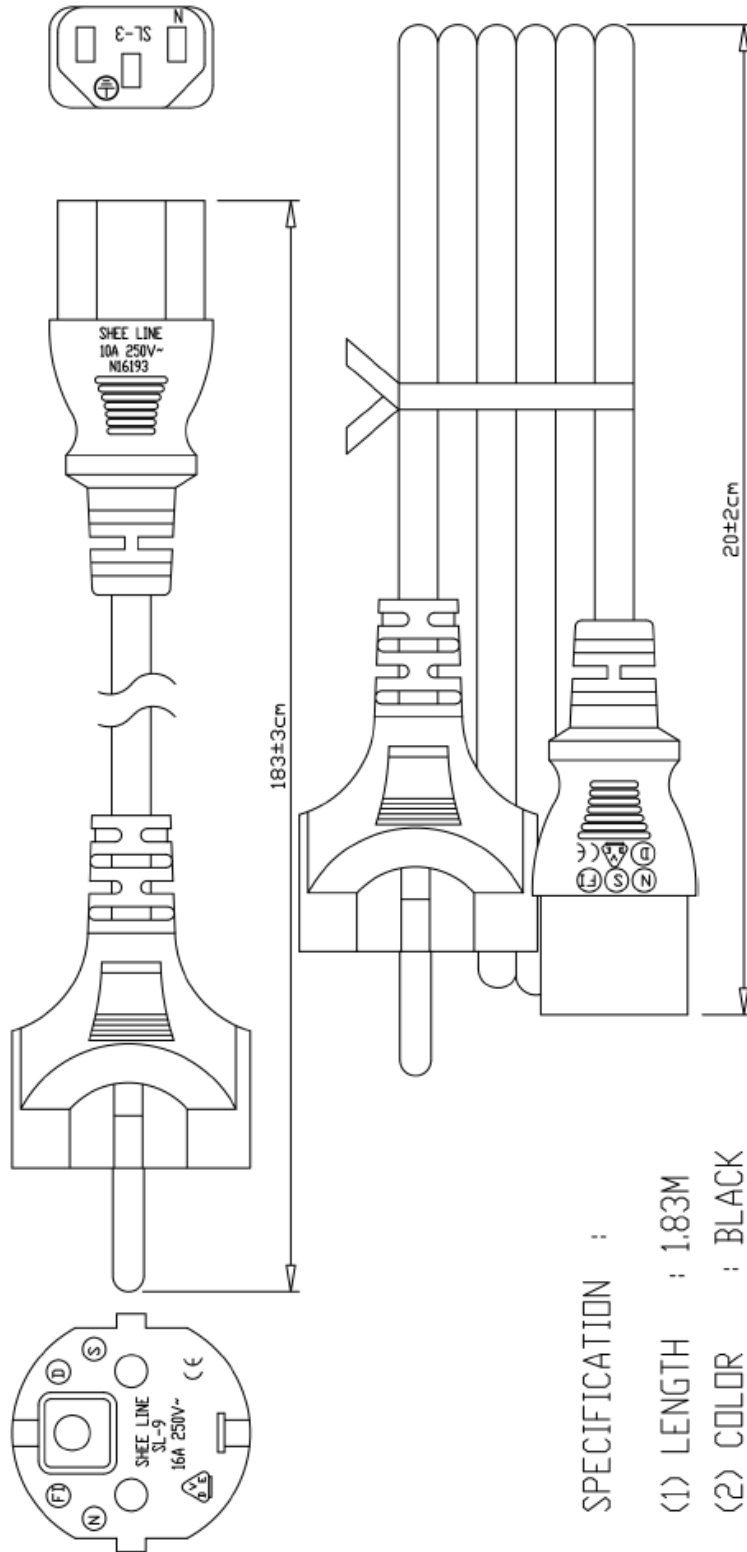
- (1) LENGTH : 1.83M
- (2) COLOR : BLACK
- (3) PLUG : QP-026 (A)13 (V)250 APPROVAL: KEMA BS1363
- (4) CONNECTOR: SL-3 (A)10 (V)250 APPROVAL:EUR
- (5) CABLE : H05VV-F0.75mm2/3G APPROVAL:EUR

Ideal Power Limited

14 Larks Way, Tree Beech Enterprise Park, Gunn, Barnstaple, Devon, England, EX32 7NZ.

www.idealpower.co.uk | +44 (0) 845 260 3400

Mains Lead EU



SPECIFICATION :

- (1) LENGTH : 1.83M
- (2) COLOR : BLACK
- (3) PLUG : SL-3 (A)10 (V)250 APPROVAL:EUROPEAN
- (4) CONNECTOR: SL-9(A)16 (V)250 APPROVAL: EUROPEAN
- (3) CABLE : H05 0.75mm2/3G APPROVAL: EUROPEAN

